

TX-3535L3FC120-OGFEND34-01

PRODUCT SPECIFICATION

Features:

- ◆
- ◆
- ◆
- ◆

Chip Material:

- ◆

Emitting Color:

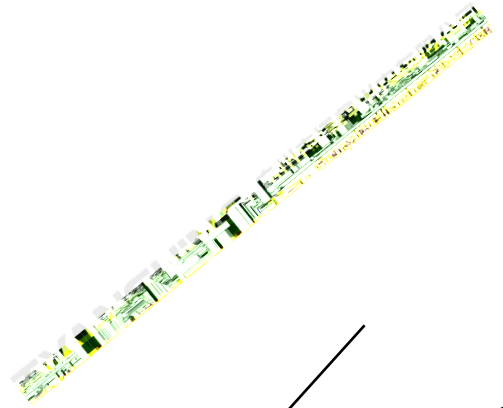
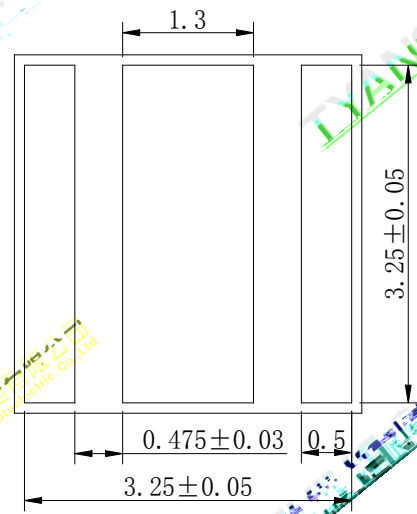
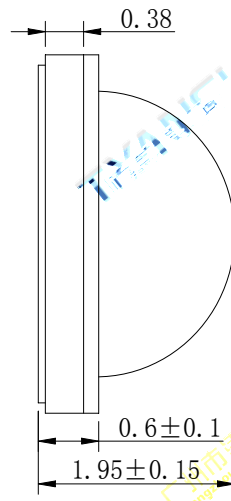
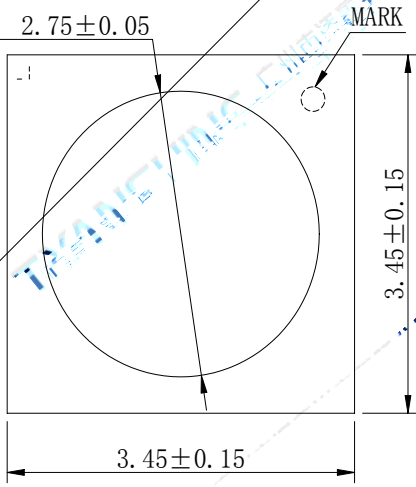
- ◆

Applications:

- ◆
- ◆
- ◆

--	--	--	--	--	--

Package Dimensions:



--	--	--	--	--	--

Absolute Maximum Ratings (Tc=25°C)

Parameter	Symbol	Ratings	Unit
			°C
			°C

Notes:

--	--	--	--	--	--

Electrical Optical Characteristics (Tc=25°C)

Parameter	Symbol	Condition	Min.	Typ.	Max.	Units
	Δ					
%						
	Δ					°C

Notes:

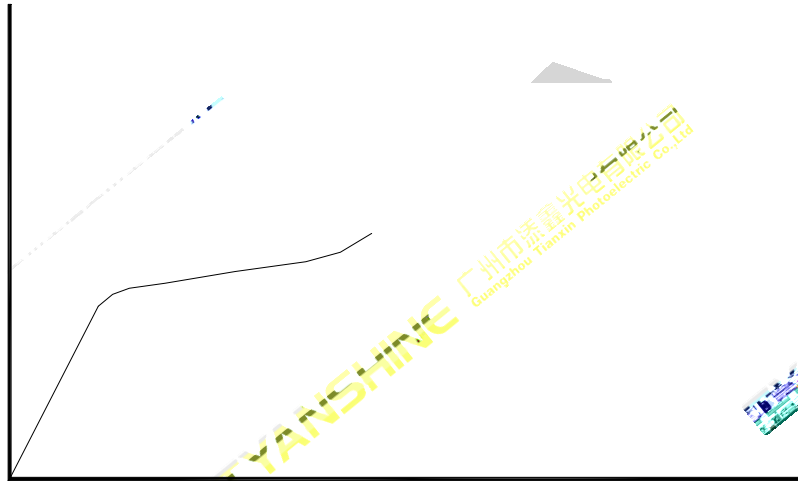
--	--	--	--	--	--	--

Usage Precautions

Storage Environment Condition

℃ ℃ ℉ ℉

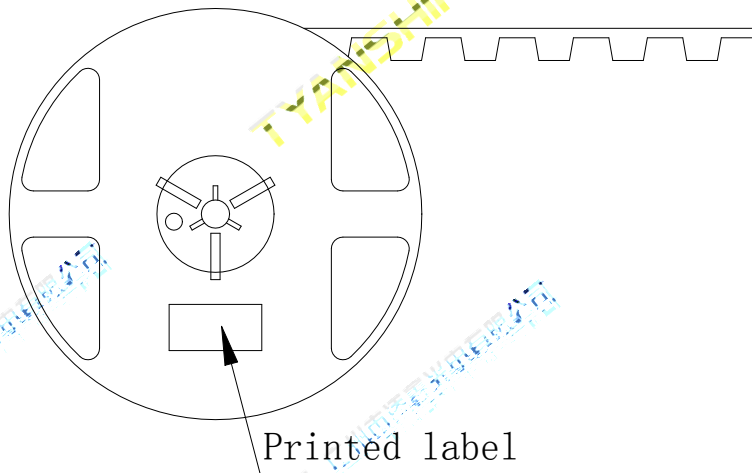
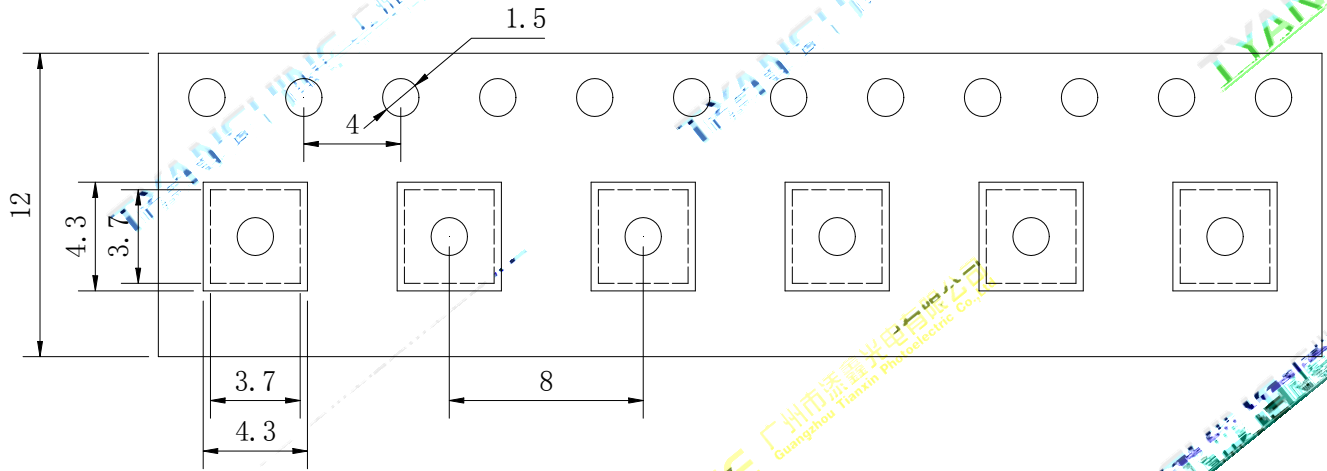
Soldering Condition



--	--	--	--	--	--

Dimensions For Cannulation And Packaging

Quantity:1000 PCS



Notes:

--	--	--	--	--	--