

TX-4045W12VCA1-NP3CD-02H95

PRODUCT SPECIFICATION

Features:

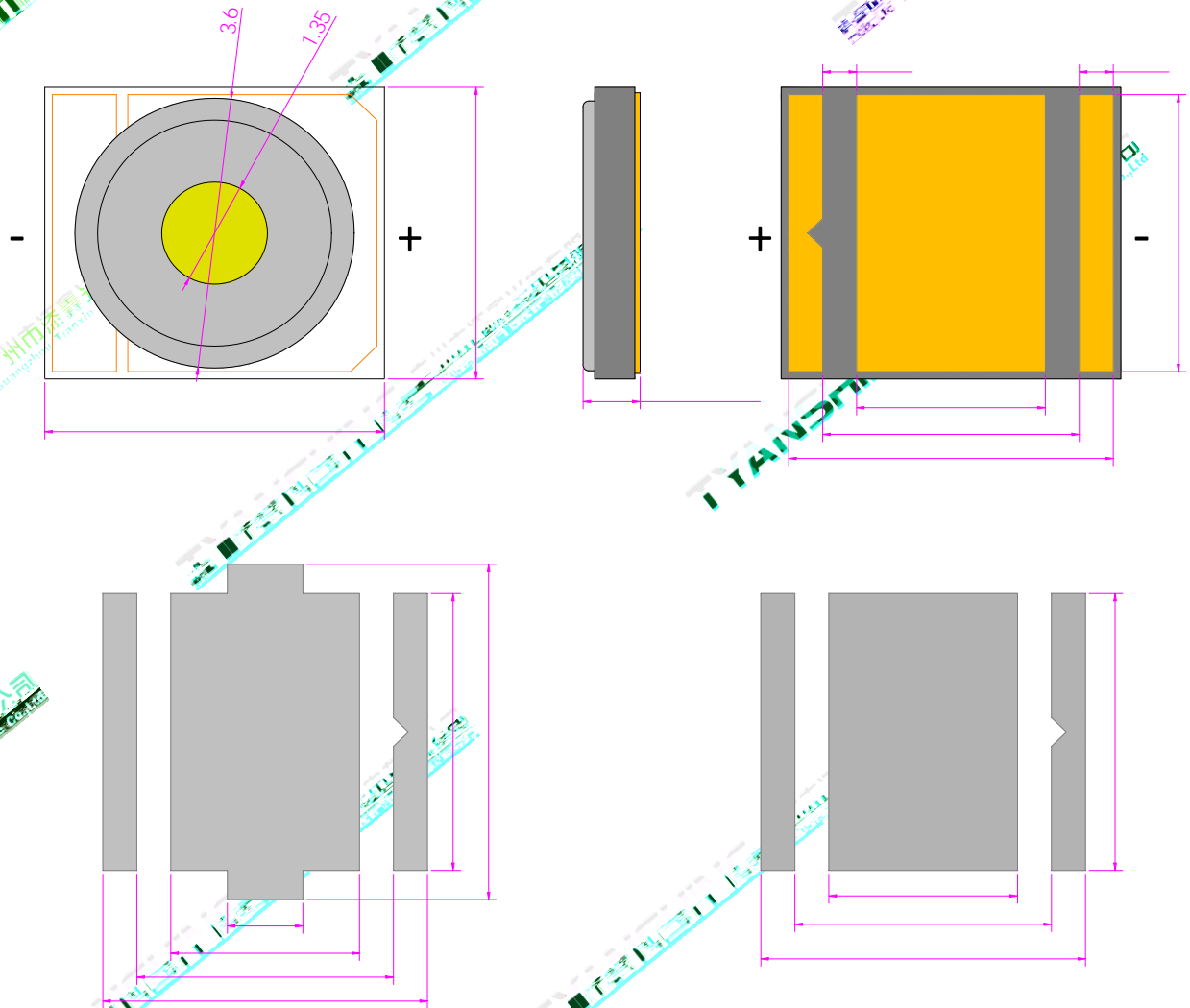
Chip Material:

Emitting Color:

Applications:

--	--	--	--	--	--

Package Dimensions:



Notes:

--	--	--	--	--	--

Absolute Maximum Ratings (Tc=25)

Parameter	Symbol	Ratings	Unit

Notes:

--	--	--	--	--	--

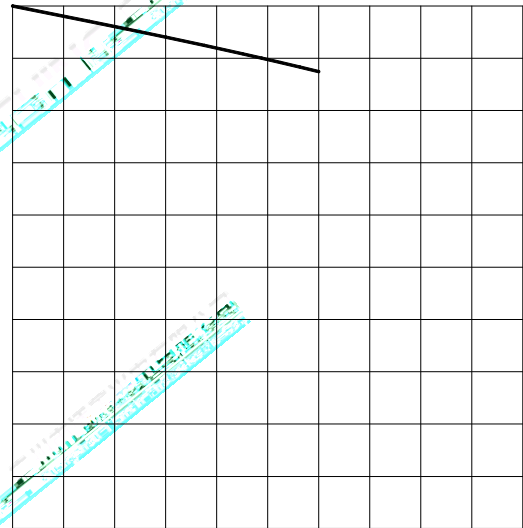
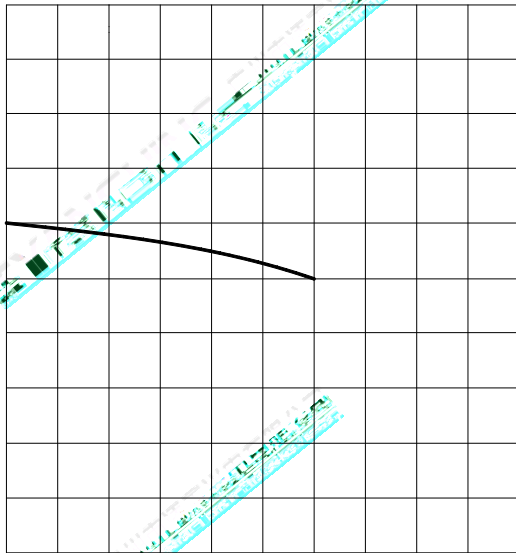
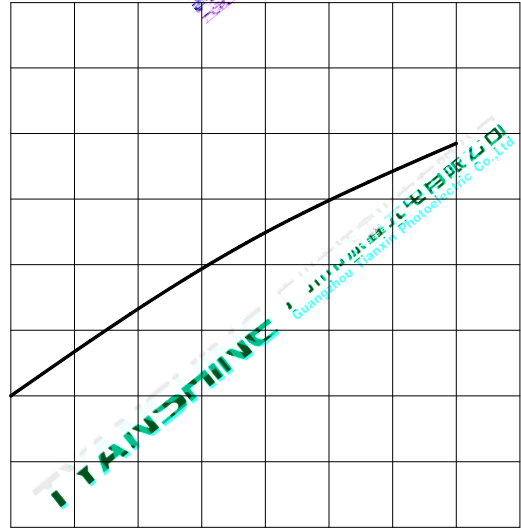
Electrical Optical Characteristics

Parameter	Symbol	Condition	Min.	Typ.	Max.	Units

Notes:

--	--	--	--	--	--	--

Typical Electrical/Optical Characteristics Curves(IF=1A)

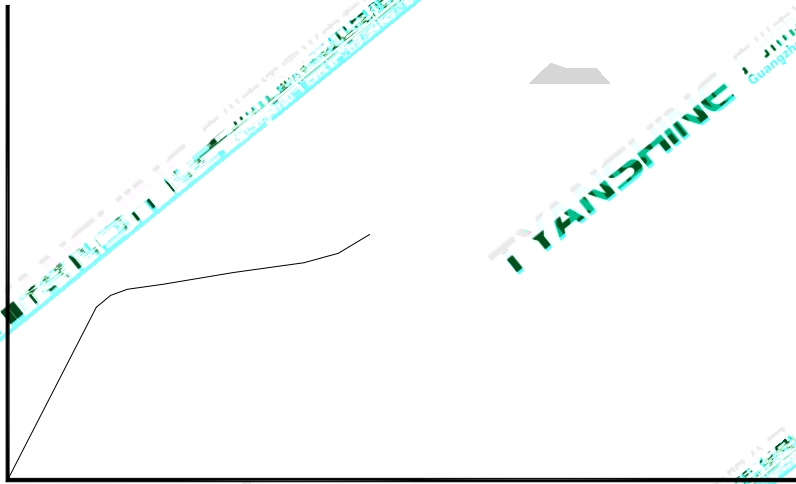


--	--	--	--	--	--

Usage Precautions

Storage Environment Condition

Soldering Condition



--	--	--	--	--	--

