

Excellent transiting heat from LED chip operating under 1.0A.

High luminous output.

No UV.

Encapsulated materials are environmentally certified and meet environmental requirements.

ThinGaN

White W

Auxiliary lighting

Ambient lighting

Architectural lighting

| Forward Current | IF | 5.5 | A |
|---|------------------|------------------------------------|---|
| Reverse Voltage | VR | Not designed for reverse operation | V |
| Power Dissipation | P _D | 24 | W |
| Junction Temperature | T _j | 150 | |
| Electrostatic Discharge Threshold (ESD) | ESD | 2000 | V |
| Storage Temperature | T _{stg} | -20~+70 | |
| Operation Temperature | T _{opr} | -30~+85 | |

1.Specifications are subject to change without notice.

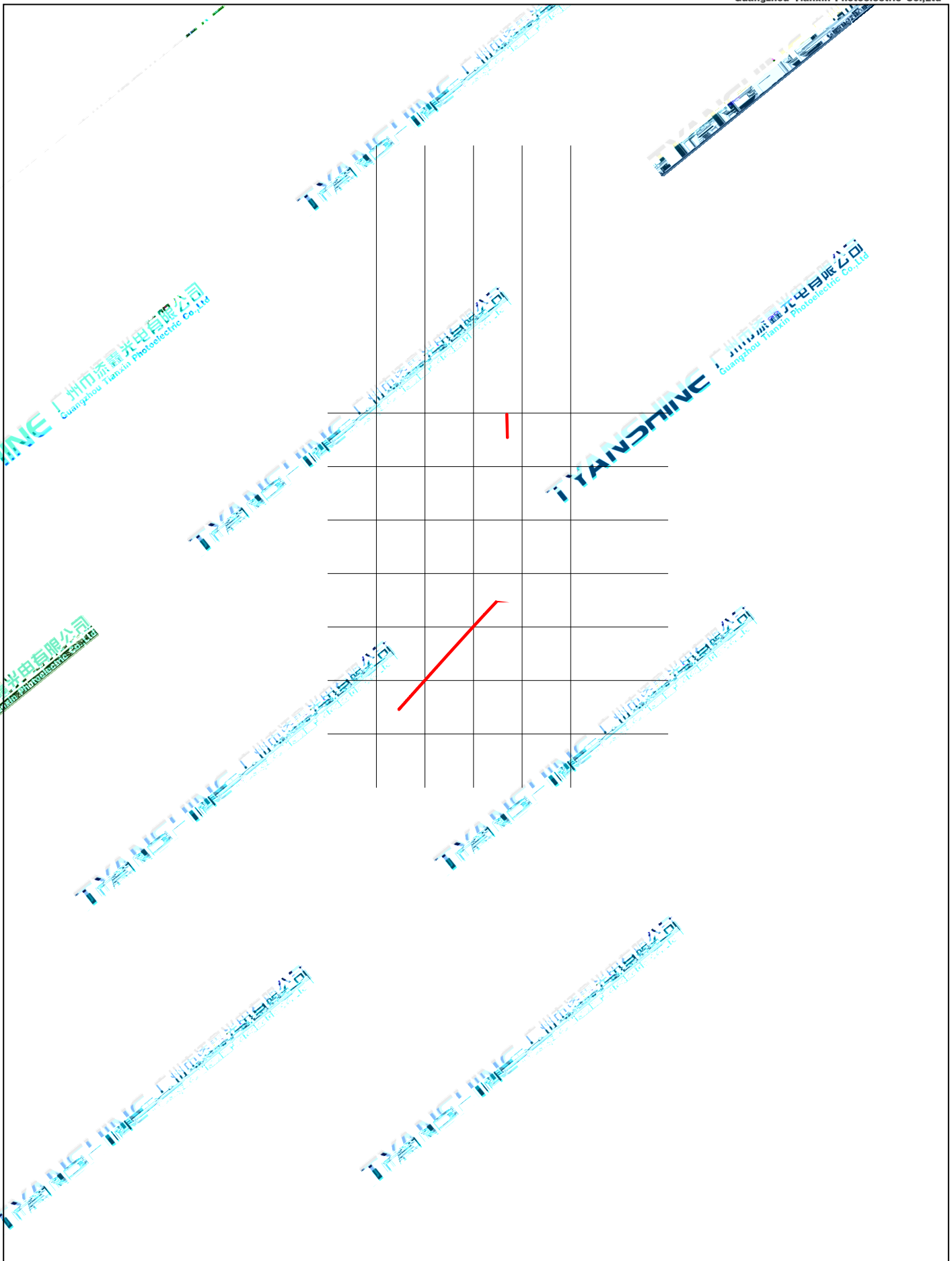
2.The data on this specification is for reference only and the actual data is in accordance with the acknowledgment.

3.Precautions for ESD:

STATIC SHIELD Electricity and surge damages the LED. It is recommended to use a wrist band or anti-electrostatic glove when handling the LED. All devices, equipment and machinery must be properly grounded.

| Luminous Flux | v | If=1.0A | W | 390 | 440 | 490 | lm |
|------------------------------------|----------------|---------|---|------|-------|------|-----|
| | | If=5.5A | W | 1240 | 1400 | 1560 | |
| Forward Voltage | V _f | If=1.0A | W | 2.8 | — | 3.6 | V |
| | | If=5.5A | W | 3.8 | — | 4.5 | |
| Viewing Angle at 50° IV | 2 1/2 | — | W | — | 100 | — | Deg |
| Correlated Colour Temperature | CCT | If=1.0A | W | 5000 | — | 6100 | K |
| | | If=5.5A | W | 5400 | — | 6600 | |
| Reverse Current | I _R | — | W | — | — | — | μA |
| Temperature Coefficient of Voltage | V F/T | If=1.0A | W | — | -6.65 | — | mV/ |
| | | If=5.5A | W | — | -6.23 | — | |

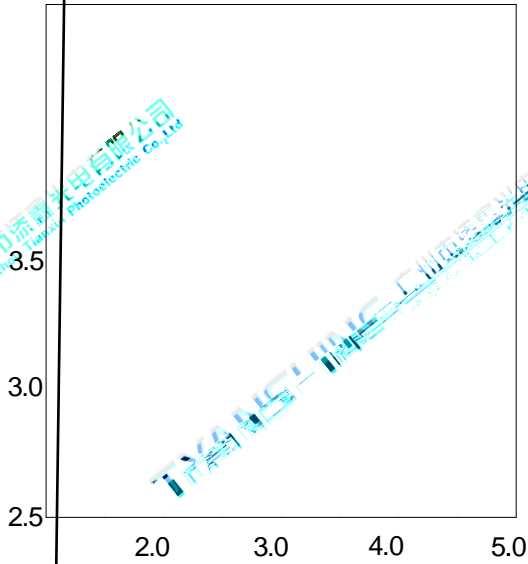
- 1.Luminous intensity is measured with a light sensor and filter combination that approximates the CIE eye-response curve.
2. 1/2 is the off-axis angle at which the luminous intensity is half the axial luminous intensity.
- 3.Luminous flux measurement tolerance:±15%.
- 4.Forward voltage measurement tolerance:±0.15V.

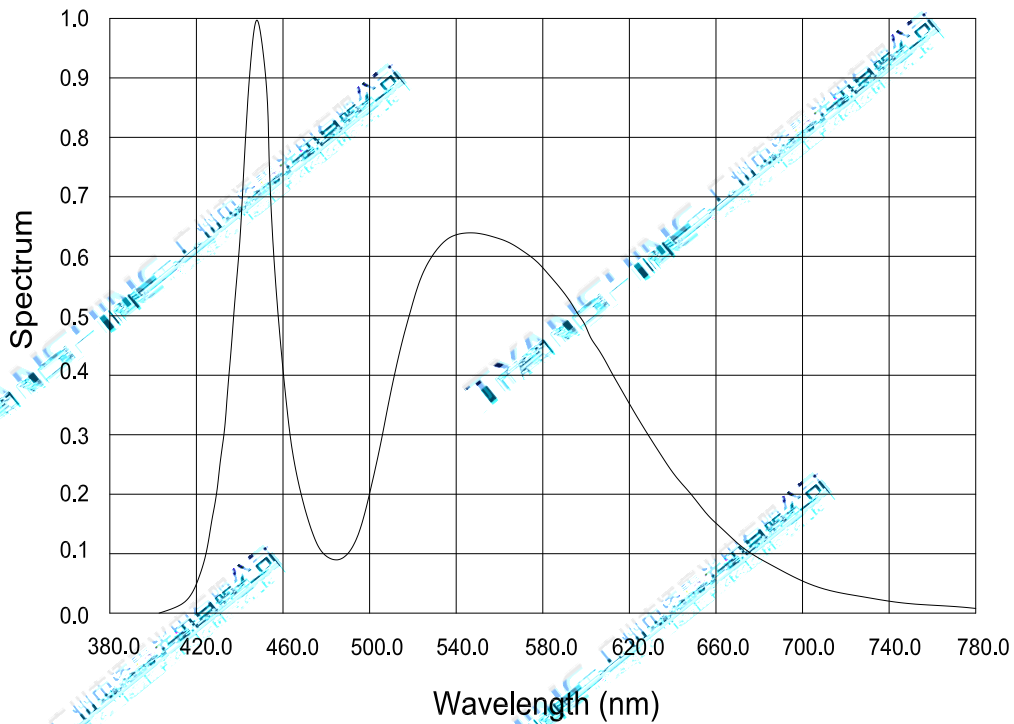
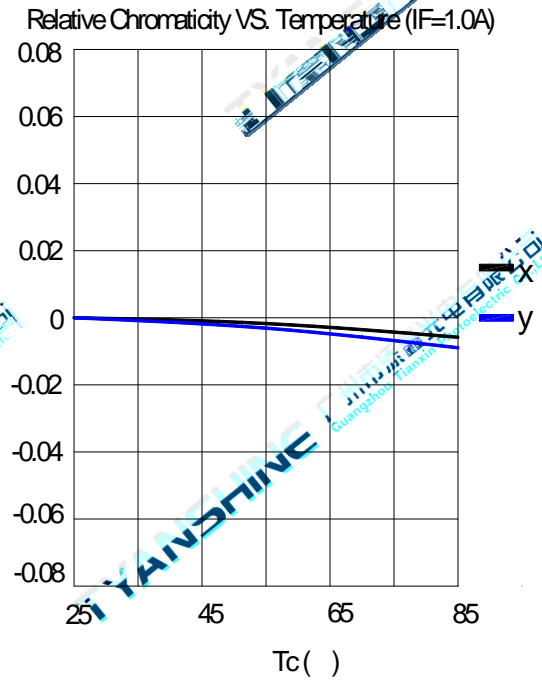
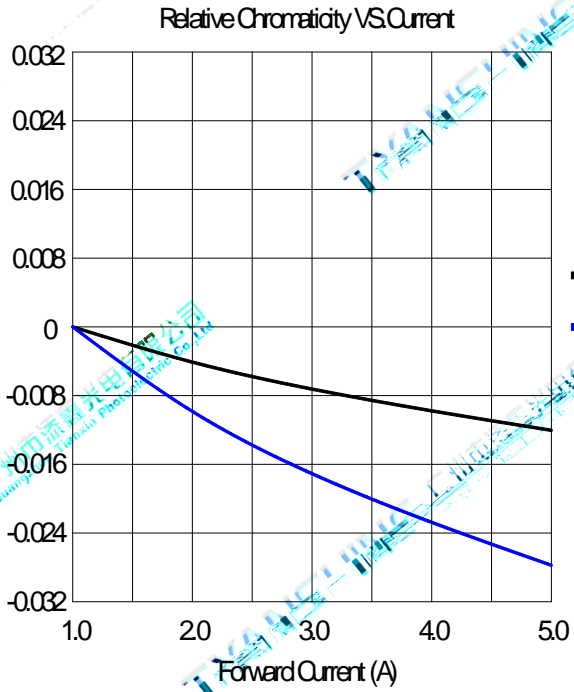


| | | | | | |
|----------|----------------------------|----------|------------|------|--------|
| Part No. | TX-5050W20FC100-NUVCNG-B01 | Spec No. | WKF-FC0081 | Page | 5 of 9 |
|----------|----------------------------|----------|------------|------|--------|

Ambient Temperature Unless Otherwise Noted)

Forward



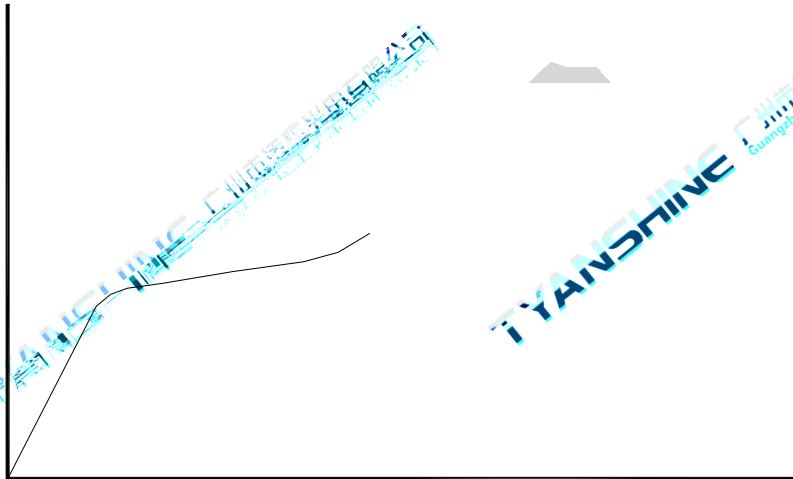


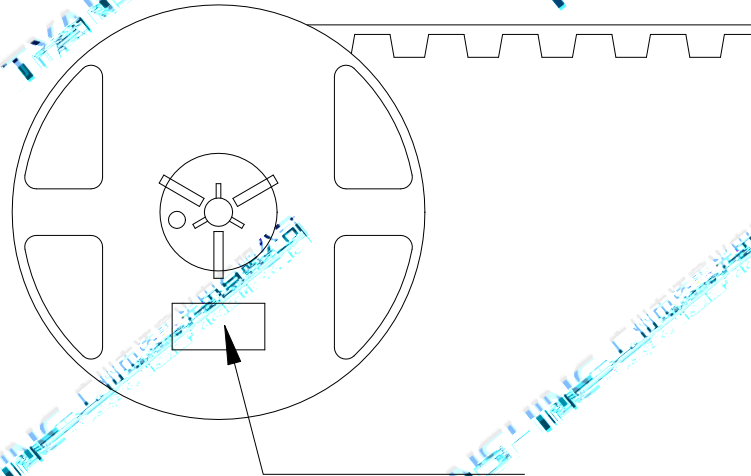
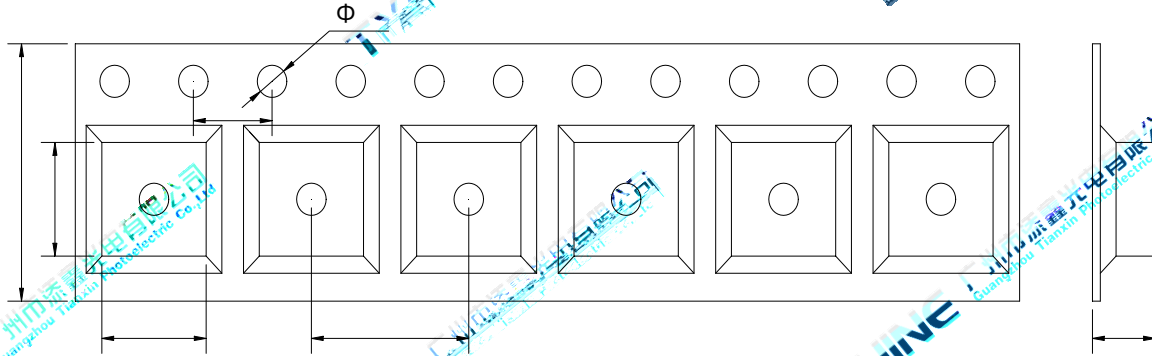
1. $2^{-1/2}$ is the off axis angle from lamp centerline where the luminous intensity is 1/2 of the peak value.
2. View angle tolerance is $\pm 5^\circ$.

Temperature: 5 ~ 30 (41 ~ 86)

Humidity: 60% RH Max.

Use the conditions shown to the under figure.





1. All dimensions are in millimeters.
2. Tolerances are ± 2.0 mm unless otherwise noted.
3. The products are packaged together with silica gel, Transport, not to the weight of welding LED light-emitting area, As a result of the weight of LED light-emitting zone in the quality of, Irresponsible of the Company.

| | | | | | |
|----------|----------------------------|----------|------------|------|--------|
| Part No. | TX-5050W20FC100-NUVCNG-B01 | Spec No. | WKF-FC0081 | Page | 9 of 9 |
|----------|----------------------------|----------|------------|------|--------|