

# TX-2020A3FSA1-NG4DA-01

## PRODUCT SPECIFICATION

Features:

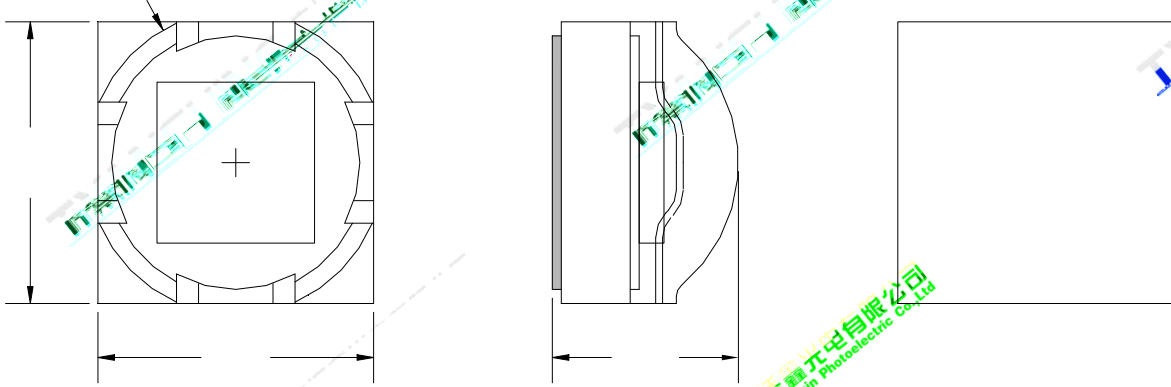
Chip Material:

Emitting Color:

Applications:

--	--	--	--	--	--

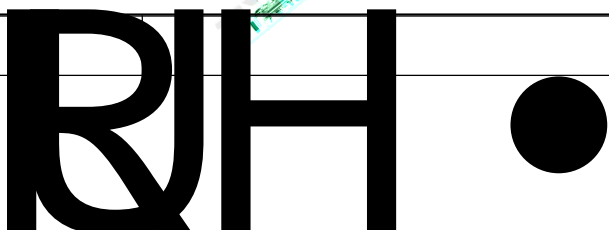
# Package Dimensions:



--	--	--	--	--	--

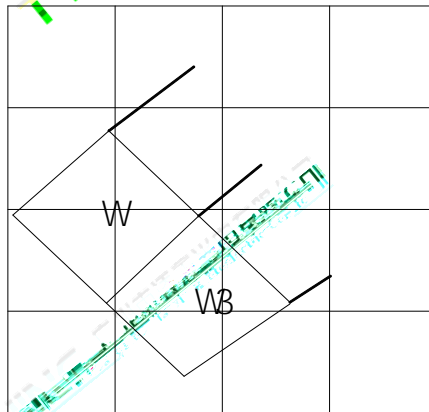
# Absolute Maximum Ratings (Tc=25 °C )

Parameter	Symbol	Ratings	Unit
Notes:			



# Electrical Optical Characteristics (Tc=25°C IF=0.35A)

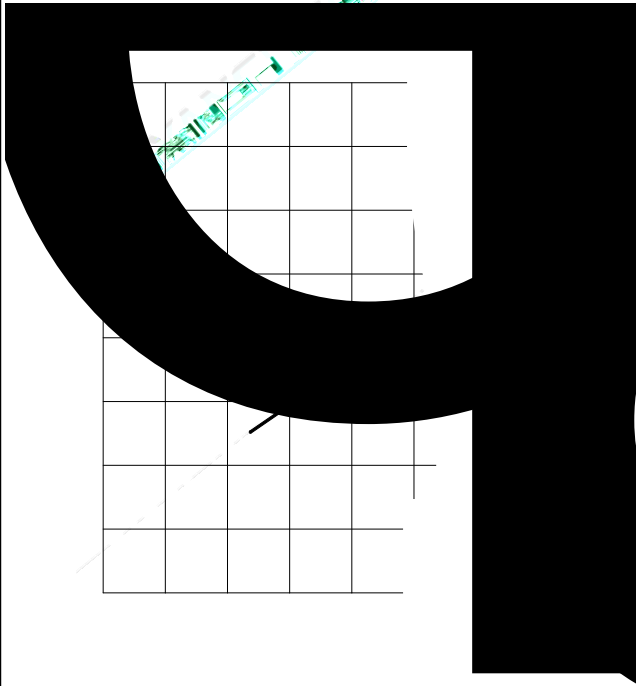
## White light Color coordinate filing (IF=0.35A)



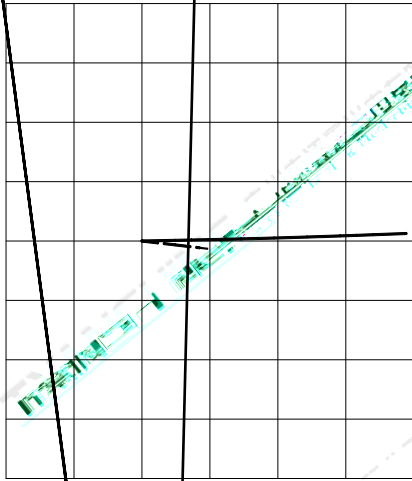
[Greyed out area]			
-------------------	--	--	--

--	--	--	--	--	--

# Typical Electrical/Optical Characteristics Curves



--	--	--	--	--	--



**TYANSHINE** 广州市添鑫光电有限公司  
Guangzhou Tianxin Photoelectric Co.,Ltd

**TYANSHINE** 广州市添鑫光电有限公司  
Guangzhou Tianxin Photoelectric Co.,Ltd

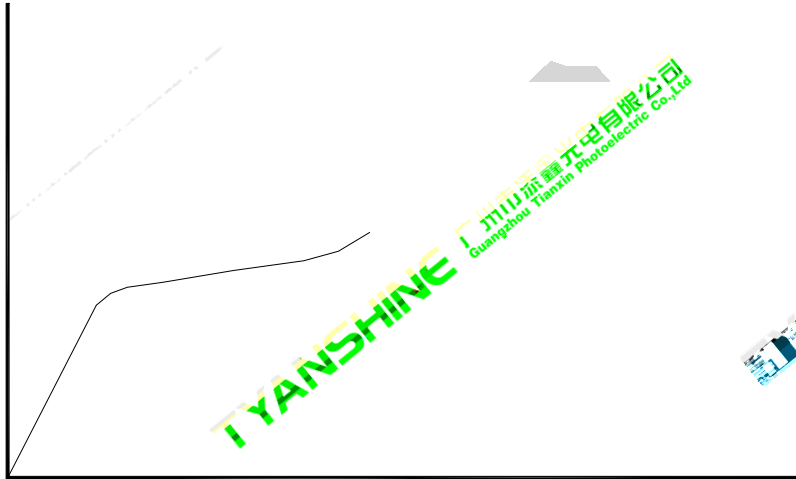
**#**

**S**

# Usage Precautions

## Storage Environment Condition

## Soldering Condition



--	--	--	--	--	--

