

CANEC24021252910

2024 10 09

1 7

Jany Zhong

		SGS ID	
SN1	A18	CAN24-0212529-0001.C018	
SN2	A19	CAN24-0212529-0001.C019	

- (1) 1 mg/kg = 1 ppm = 0.0001%
- (2) MDL=
- (3) ND = (< MDL)
- (4) "-" =

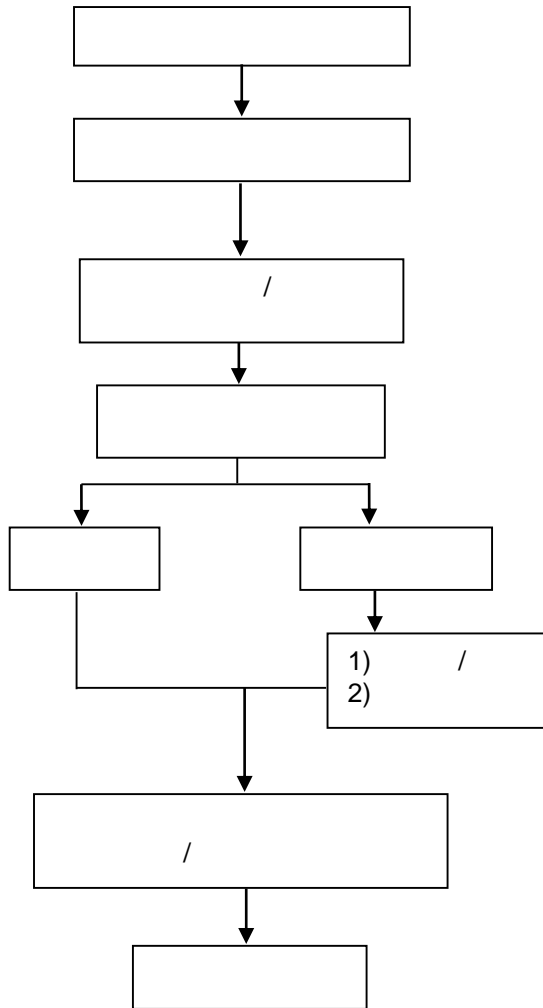
RoHS (PBDE)	2011/65/EU (DIBP)	II (2- )	(EU) 2015/863- (DEHP)	(BBP)	(PBB)
-------------	-------------------	----------	-----------------------	-------	-------

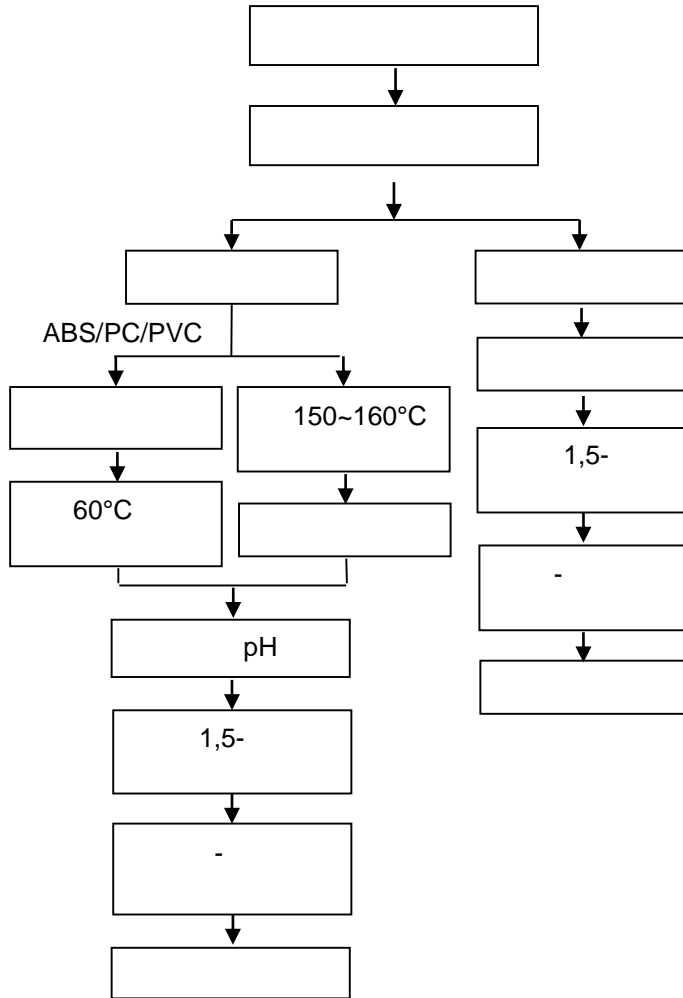
IEC 62321-4:2013+AMD1:2017 ICP-OES/AAS  
 IEC 62321-5:2013 UV-Vis  
 IEC 62321-7-2:2017 GC-MS  
 IEC 62321-12:2023

			MDL	A18	A19
(Pb)	1000	mg/kg	2	ND	10
(Hg)	1000	mg/kg	2	ND	ND
(Cd)	100	mg/kg	2	ND	ND
(Cr(VI))	1000	mg/kg	8	ND	ND
(PBB)	1000	mg/kg	-	ND	ND
(MonoBB)	-	mg/kg	25	ND	ND
(DiBB)	-	mg/kg	25	ND	ND
(TriBB)	-	mg/kg	25	ND	ND
(TetraBB)	-	mg/kg	25	ND	ND
(PentaBB)	-	mg/kg	25	ND	ND
(HexaBB)	-	mg/kg	25	ND	ND
(HeptaBB)	-	mg/kg	25	ND	ND
(OctaBB)	-	mg/kg	25	ND	ND
(NonaBB)	-	mg/kg	25	ND	ND
(DecaBB)	-	mg/kg	25	ND	ND
(PBDE)	1000	mg/kg	-	ND	ND
(MonoBDE)	-	mg/kg	25	ND	ND
(DiBDE)	-	mg/kg	25	ND	ND
(TriBDE)	-	mg/kg	25	ND	ND
(TetraBDE)	-	mg/kg	25	ND	ND
(PentaBDE)	-	mg/kg	25	ND	ND
(HexaBDE)	-	mg/kg	25	ND	ND

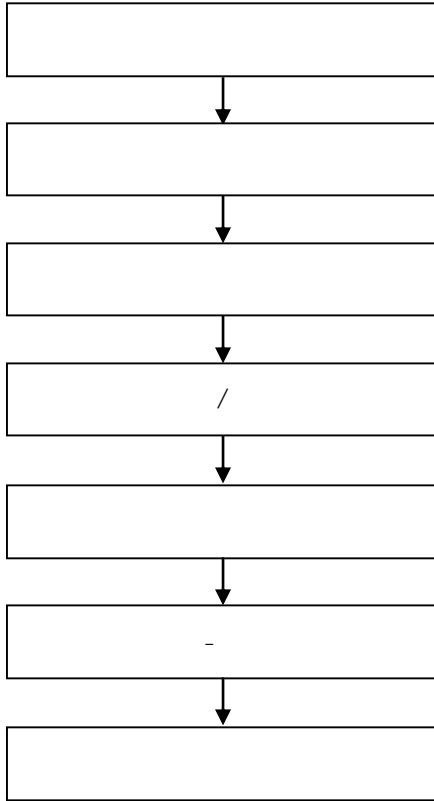
			MDL	A18	A19
(HeptaBDE)	-	mg/kg	25	ND	ND
(OctaBDE)	-	mg/kg	25	ND	ND
(NonaBDE)	-	mg/kg	25	ND	ND
(DecaBDE)	-	mg/kg	25	ND	ND
(2- ) (DEHP)	1000	mg/kg	50	ND	ND
(BBP)	1000	mg/kg	50	ND	ND
(DBP)	1000	mg/kg	50	ND	ND
(DIBP)	1000	mg/kg	50	ND	ND

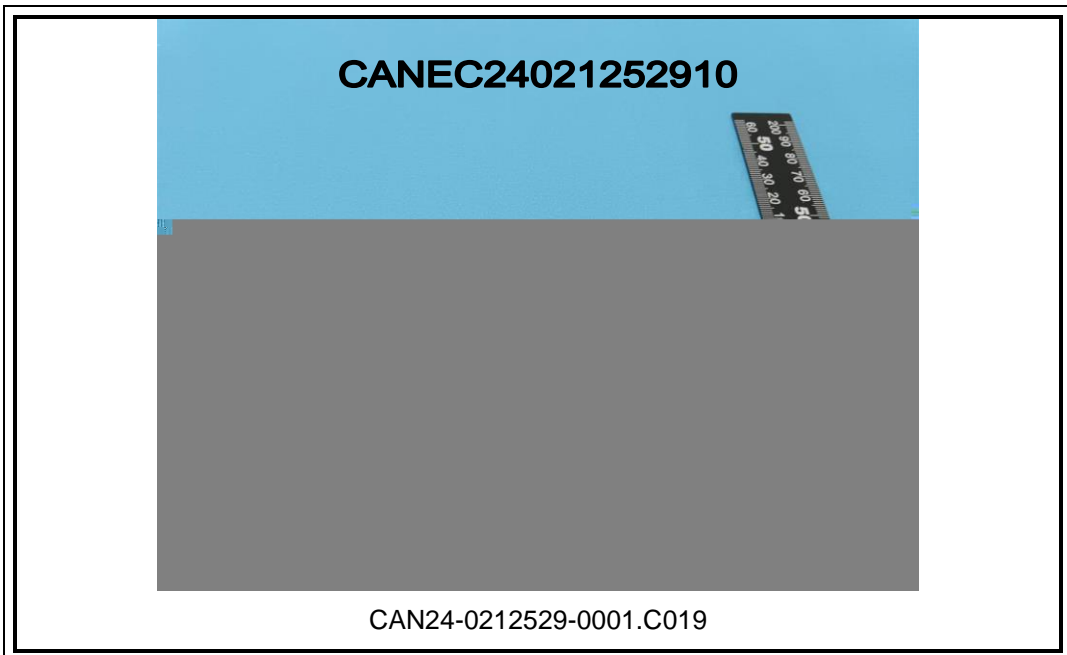
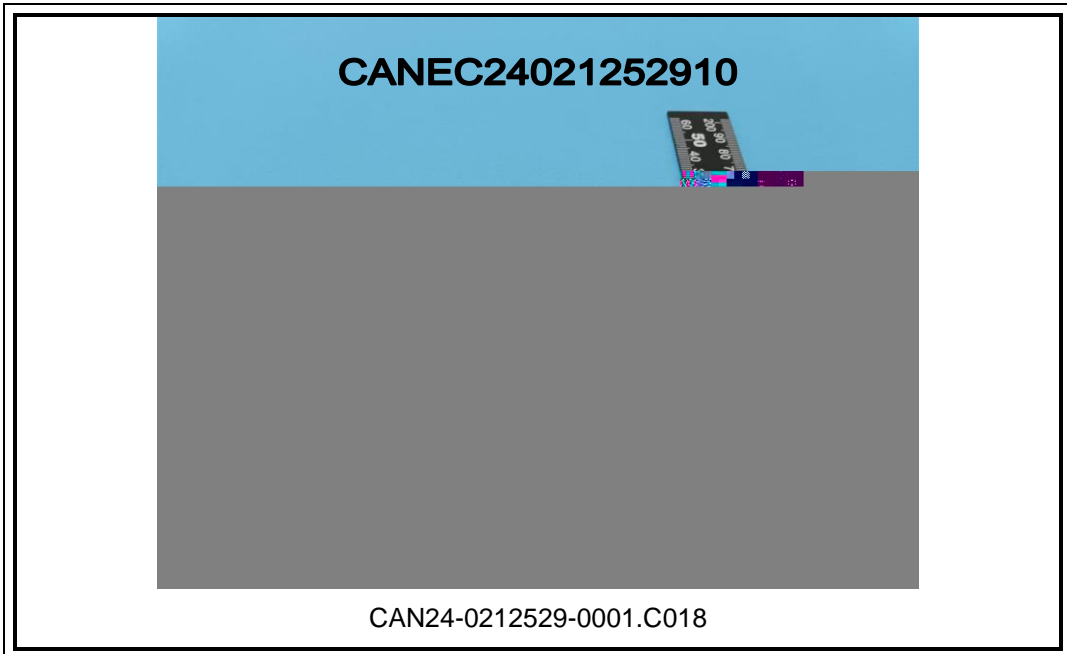
- (1) RoHS (EU) 2015/863
- (2) IEC 62321 EN 62321
- (3) 2021 7 22 DEHP BBP DBP DIBP





### PBB/PBDE/Phthalates





SGS

\*\*\*

\*\*\*